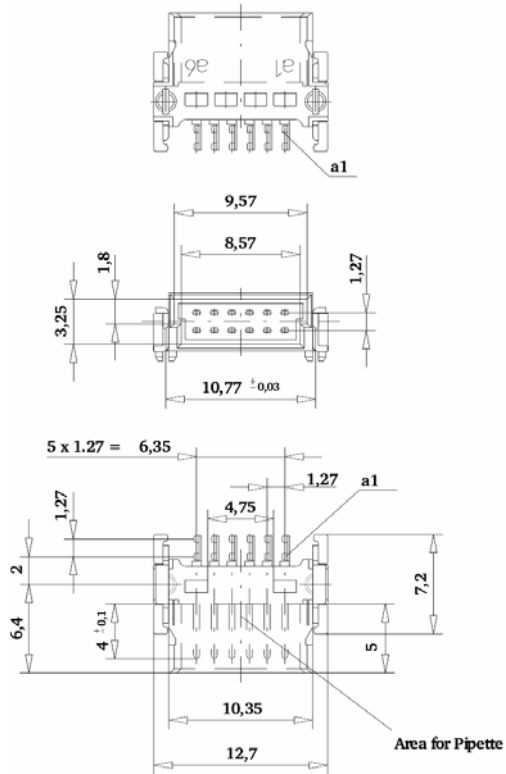


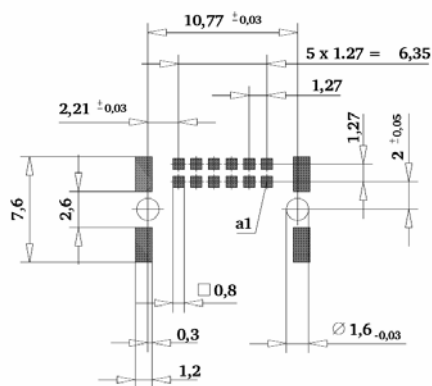
# INTEGRATED SENSOR PCB Connections Layout



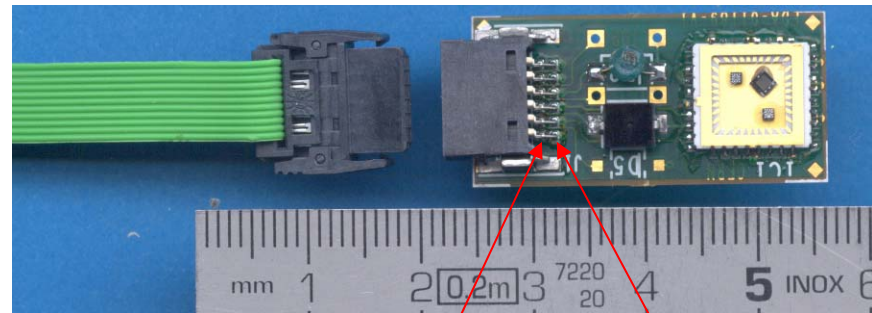
pin-out ERNI  
Male Connector  
SMC-B 12 contacts  
(model: 054594)

ERNI	PCB	Device
a1	gnd	
a2	D5	pin diode
a3	D3	pin diode
a4	D4	pin diode
a5	D1	pin diode
a6	IC1	C3 (REM)
b1	S1	T. probe
b2	IC1	C4 (LAAS)
b3	n.c.	free
b4	D2	pin diode
b5	IC1	C1 (REM)
b6	IC1	C2 (LAAS)

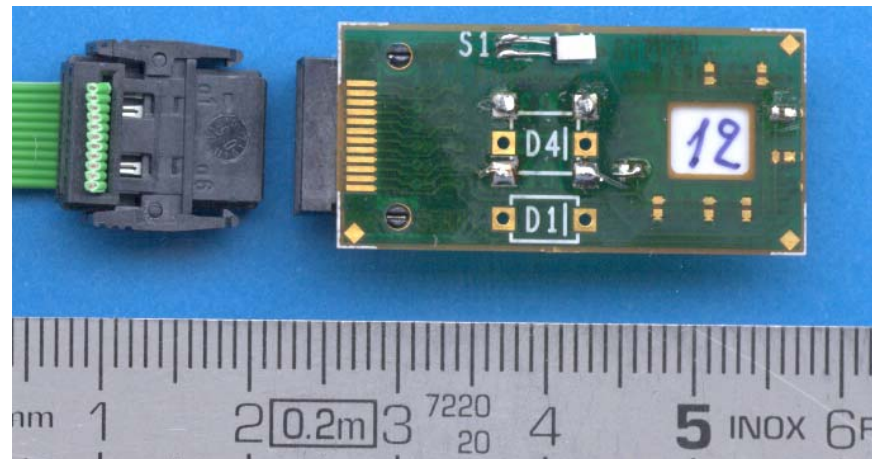
PCB-Layout Proposal for SMT



FRONT



BACK



NOTE: Devices to be supplied with negative currents !

F.Ravotti, M.Glaser (72058)  
CERN - August 2006